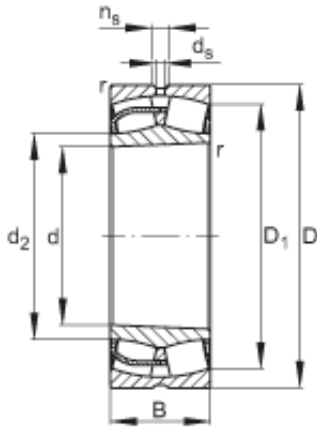




NTN BEARING-SUDAMERICANA, S.A.



180 mm x 300 mm x 118 mm FAG 24136-E1-K30 Spherical Roller Bearings

Bearing No. 24136-E1-K30

24136-E1-K30 Bearing 2D drawings and 3D CAD models

Size	180x300x118 mm
Bore Diameter	180 mm
Outer Diameter	300 mm
Width	118 mm
d	180 mm
D	300 mm
B	118 mm
D_1	255,7 mm
$D_{a \max}$	286 mm
d_2	204,8 mm
$d_{a \min}$	194 mm
d_s	6,3 mm
n_s	12,2 mm
$r_{a \max}$	2,5 mm
r_{\min}	3 mm
m	32,5 kg / Weight
C_r	1460000 N / Dynamic load rating (radial)
e	0,36
Y_1	1,86
Y_2	2,77
C_{0r}	2170000 N / Static load rating (radial)
Y_0	1,82



NTN BEARING-SUDAMERICANA, S.A.

n_G	2000 1/min / Limiting speed
n_B	990 1/min
C_{ur}	203000 N / Fatigue limit load, radial